

REFERENCE ONLY
(FOR INSTALLATION
INTO FORK)

TORQUE:
50±5 IN. LB.

210-22-446
REBOUND KNOB

TORQUE:
5.0±0.5 IN. LB.

LOCTITE:
BLUE 242
ONE DROP

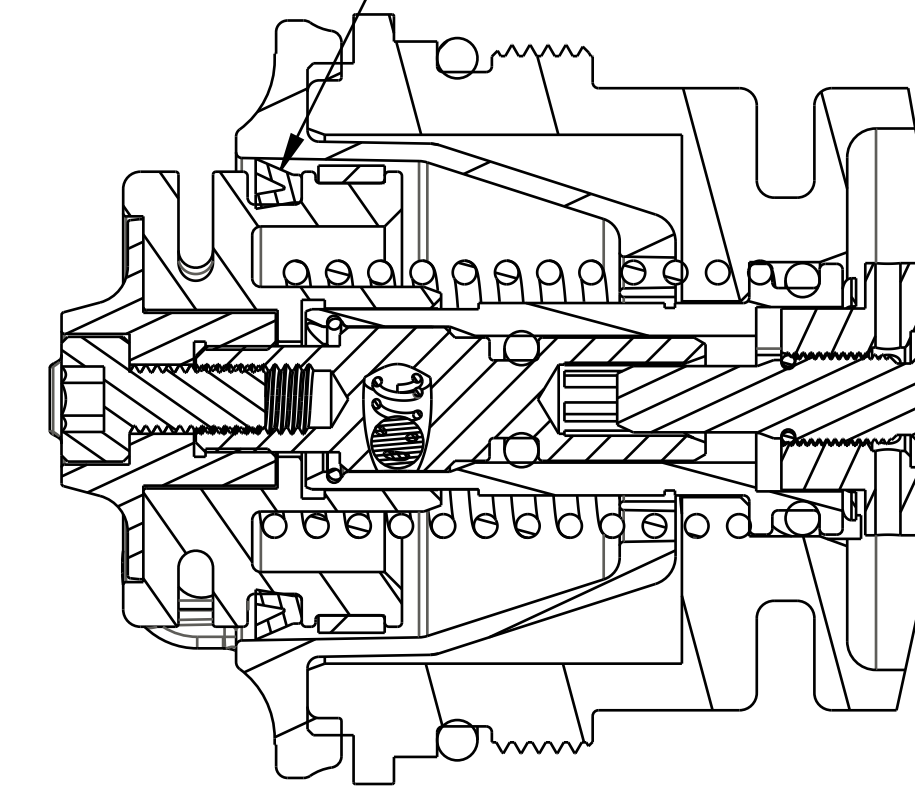
018-01-004-A
Fastener, Standard: Screw [#8-32 X 0.250 TLG]

241-00-011
BOTTOM NUT

241-01-011
CRUSH WASHER

820-05-335-KIT
BASE STUD INTERFACE PARTS

IMPORTANT:
NOTE U-CUP
ORIENTATION



DETAIL A
SCALE 3.000

CARTRIDGE ASSY

820-05-332-KIT
2016 FIT4 TopCap Interface Parts F-S Remote

019-01-095
Fastener, Standard (Metric): Screw [M3 X 6mm] SHCS, Patchlock

210-22-946
Remote Compression Adjust Knob, F-S, FIT4

GREASE:
THIN LAYER OF
BLUE MARINE GREASE

REFERENCE ONLY
(FOR INSTALLATION
INTO FORK)

TORQUE:
220±5 IN. LB.

210-22-947
Damping Adjust Part: Housing, Remote, Hubless, FIT4

039-00-291
Spring: Torsion 2013 Damper CTD Remote, .048 Square Wire, 0.600 Mean Coil Diam (

002-02-050
Bearing: External [0.115 W X 0.810 OD X 0.030 TH, Ø 0.750 Bore] Turcon,Blue,Ring

036-01-044
Seals: U-Cup, Shore 70A, 2013 CTD-ADJ, Remote Fit-CTD and Remote O/C-CTD

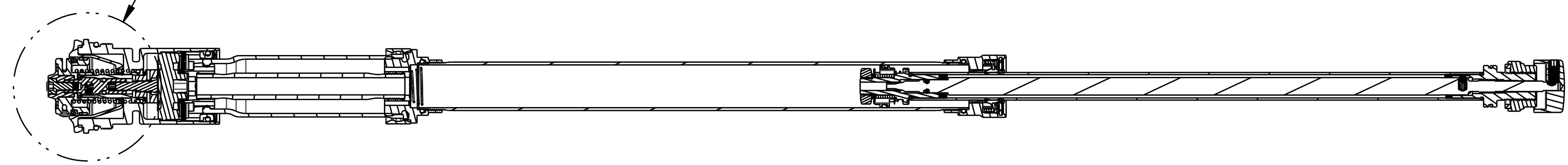
019-01-088
Set Screw [M4x4mm], SST, Cup Point, Patchlock

210-22-945
Cable Pulley, Remote, F-S, FIT4

TORQUE:
11±3 IN. LB.

IMPORTANT:
DO NOT ALLOW PULLEY
TO ROTATE WHILE TORQUING

SEE DETAIL A



FOX Factory, Inc.
130 Hangar Way, Watsonville, CA 95076 USA
Ph 831-768-1100
Fax 831-768-9312

TITLE
**2016 34mm Factory Series
Remote FIT4 Cart Assy Complete**

SIZE DWG. NO.
D

PLOT SCALE 1.00:1

SHEET 1 OF 1

PROPRIETARY - PROPRIETARY INFORMATION
THIS DOCUMENT CONTAINS CONFIDENTIAL, PROPRIETARY INFORMATION
THAT IS FOR PROPERTY. DO NOT DISCLOSE TO OR DUPLICATE
FOR OTHERS EXCEPT AS AUTHORIZED BY FOX.